

# Lecture-4

## Chapter-3.2

Computer Architecture and Organization-  
Jhon P. Hayes

# Data Representation

# Data Representation

- Binary: The computer numbering system.

1 binary digit allows  $2^n = 2$  codes (0,1)

2 binary digit allows  $2^n = 4$  codes (00,01,10,11)

3 binary digit allows  $2^n = 8$  codes (000,.....111)

.....

7 binary digit allows  $2^n = 128$  codes (0000000,.....1111111)

8 binary digit allows  $2^n = 256$  codes (00000000,.....11111111)

- ASCII: American Standard Code for Information Interchange
- EBCDIC: Extended Binary Coded Decimal Interchange Code

# Data Representation

- Bit: 0 (Off) or 1 (On).
- Byte: 8 bits can make a byte.
- Word: The word is the computer's basic unit of data, the unit concerned in data storage, processing and transfer.
- Integer:
- Floating Point:
- Character:
  - ASCII
  - EBCDIC
  - Unicode
- Boolean:

# Integers

Decimal

Binary

1

00000001

4

00000100

9

00001001

-1

11111111

-4

11111100

-9

11110111

# Positive Number Representation

**Using Integers:** The simplest numbers to consider are the integers. The positive integer numbers are called *unsigned*. And the integer numbers that can also be negative are called *signed*.

For an example the number 13 represents,

$$13 = 1 \times 10^1 + 3 \times 10^0$$

# Positive Number Representation

Conversion between Decimal and Binary systems:

1. For an example the binary number 1101 represents the value

$$V = 1 \times 2^3 + 1 \times 2^2 + 0 \times 2^1 + 1 \times 2^0$$

$$V = 13$$

Hence,  $(1101)_2 = (13)_{10}$

2. The decimal number 13 represents the value

$$\begin{array}{r} 2 \overline{) 13} \\ \underline{2 \phantom{0} 6} \phantom{- 1} \\ 2 \phantom{0} \overline{) 3} \phantom{- 0} \\ \phantom{0} \underline{1} \phantom{- 1} \end{array}$$

Hence,  $(13)_{10} = (1101)_2$

# Positive Number Representation

Conversion Octal and Hexadecimal Representation:

1. The decimal number 125 represents the octal value

$$\begin{array}{r} 8 \overline{) 125} \\ \underline{96} \phantom{0} \\ 15 - 5 \\ \underline{12} \phantom{0} \\ 1 - 7 \end{array}$$

Hence,  $(125)_{10} = (175)_8$

2. The decimal number 125 represents the Hexadecimal value

$$\begin{array}{r} 16 \overline{) 125} \\ \underline{112} \phantom{0} \\ 13 - 13 \end{array}$$

Hence,  $(125)_{10} = (7D)_{16}$

# Positive Number Representation

Conversion Octal to Binary and Binary to Hexadecimal Representation:

1. The octal number  $175_8$  represents the binary value

$$(175)_8 = 001\ 111\ 101$$

Hence,  $(175)_8 = (001111101)_2$

2. The binary number  $(001111101)_2$  represents the Hexadecimal

$$\begin{aligned}(001111101)_2 &= 0000\ 0111\ 1101 \\ &= 0\ 7\ D\end{aligned}$$

Hence,  $(001111101)_2 = 7D$



# Number in different systems

<b>Decimal</b>	<b>Binary</b>	<b>Octal</b>	<b>Hexadecimal</b>
00	00000	00	00
01	00001	01	01
02	00010	02	02
03	00011	03	03
04	00100	04	04
05	00101	05	05
06	00110	06	06
07	00111	07	07
08	01000	10	08
09	01001	11	09
10	01010	12	0A
11	01011	13	0B
12	01100	14	0C
13	01101	15	0D
14	01110	16	0E
15	01111	17	0F

# Examples

1. Find out the unsigned integer, real, binary, octal and hexadecimal values of 150 denary number?
2. If the decimal value of B is 66, find out the both decimal and binary values of G and I?

# Addition of Unsigned Number

<b>x</b>	<b>0</b>	<b>0</b>	<b>1</b>	<b>1</b>
<b>+y</b>	<b>+0</b>	<b>+1</b>	<b>+0</b>	<b>+1</b>
<hr/>	<hr/>	<hr/>	<hr/>	<hr/>
<b>c s</b>	<b>00</b>	<b>01</b>	<b>10</b>	<b>10</b>

(a) The four possible cases

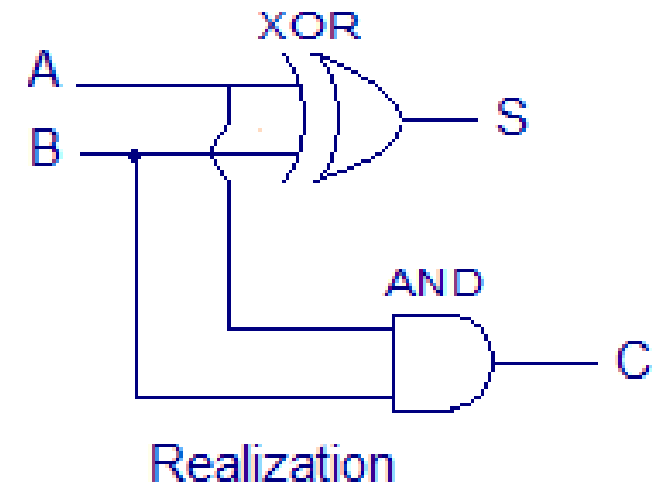
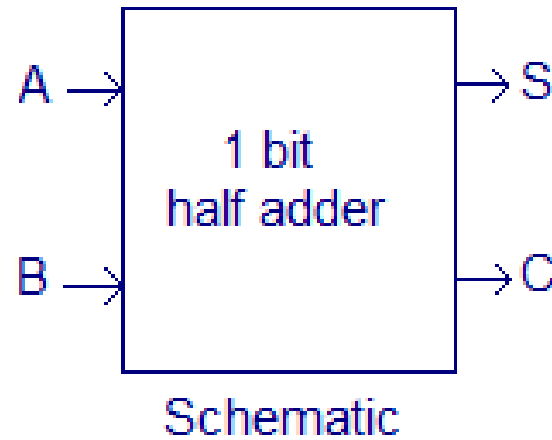
<b>x</b>	<b>y</b>	<b>Carry</b>	<b>Sum</b>
		<b>c</b>	<b>s</b>
<b>0</b>	<b>0</b>	<b>0</b>	<b>0</b>
<b>0</b>	<b>1</b>	<b>0</b>	<b>1</b>
<b>1</b>	<b>0</b>	<b>0</b>	<b>1</b>
<b>1</b>	<b>1</b>	<b>1</b>	<b>0</b>

(b) Truth Table for half adder

# Addition of Unsigned Number

Inputs		Outputs	
A	B	S	C
0	0	0	0
1	0	1	0
0	1	1	0
1	1	0	1

Truth table



**Fig:** Truth table, schematic and realization of half adder

# Addition of Unsigned Number

$c_i$ \ $x_i y_i$	00	01	11	10
0		1		1
1	1		1	

$$s_i = x_i \oplus y_i \oplus c_i$$

$c_i$ \ $x_i y_i$	00	01	11	10
0			1	
1		1	1	1

$$c_{i+1} = x_i y_i + x_i c_i + y_i c_i$$

**(b) Karnaugh maps**

# Addition of Unsigned Number

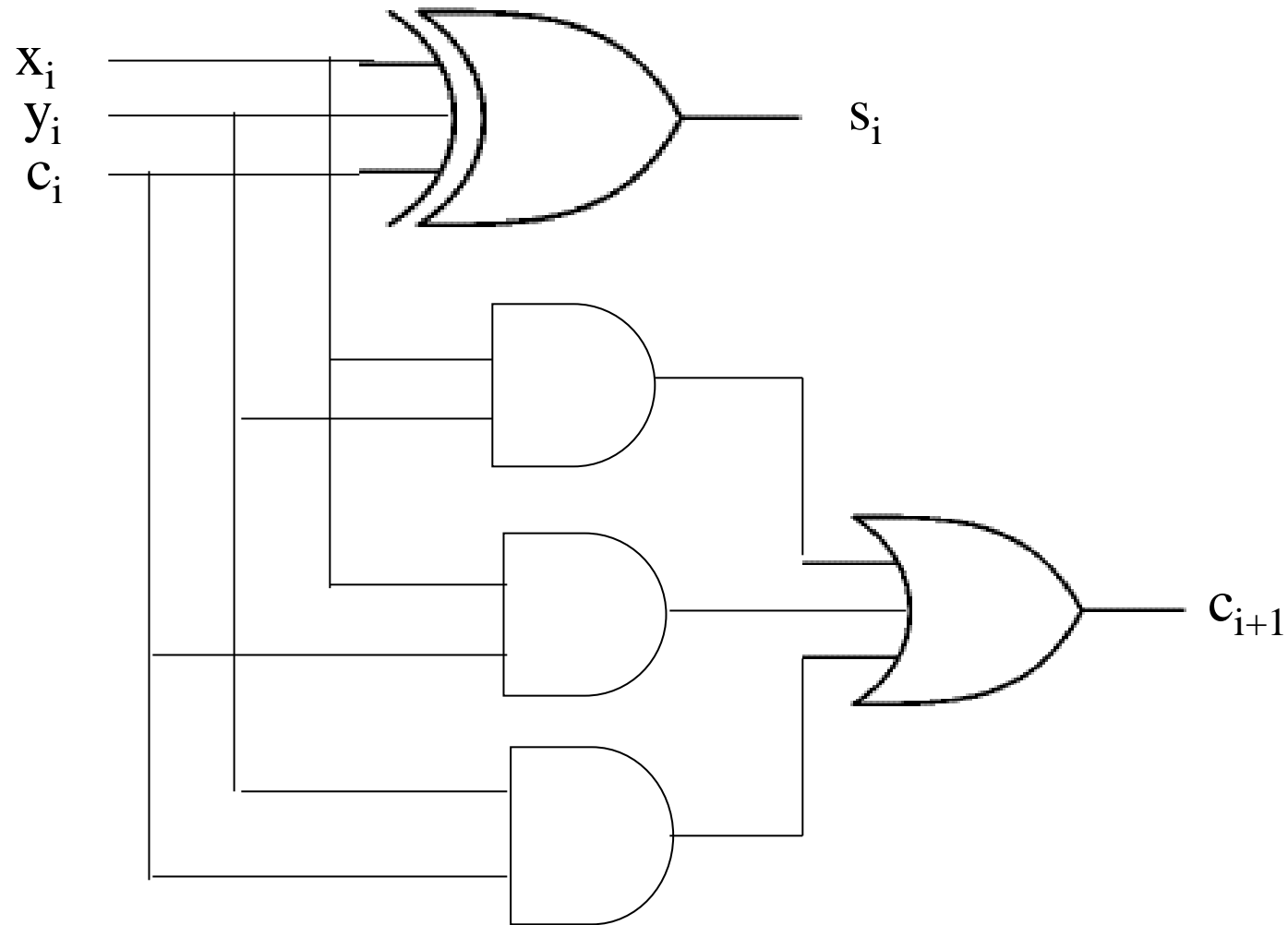
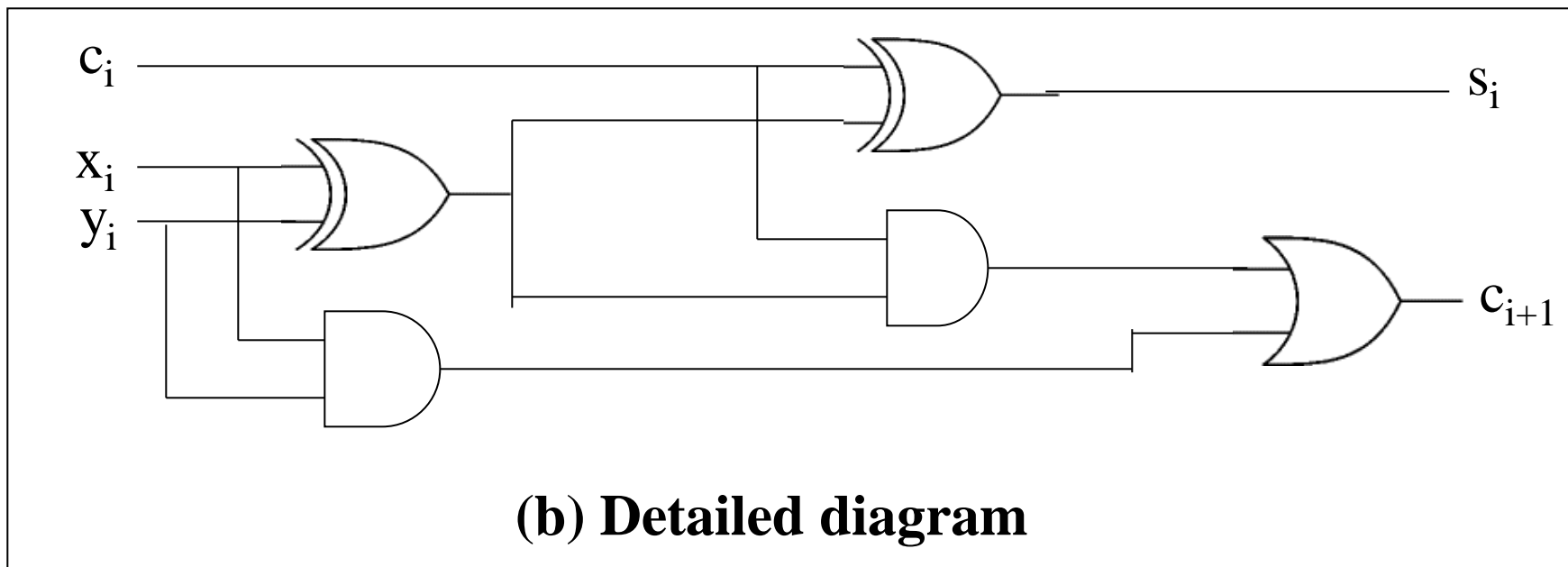
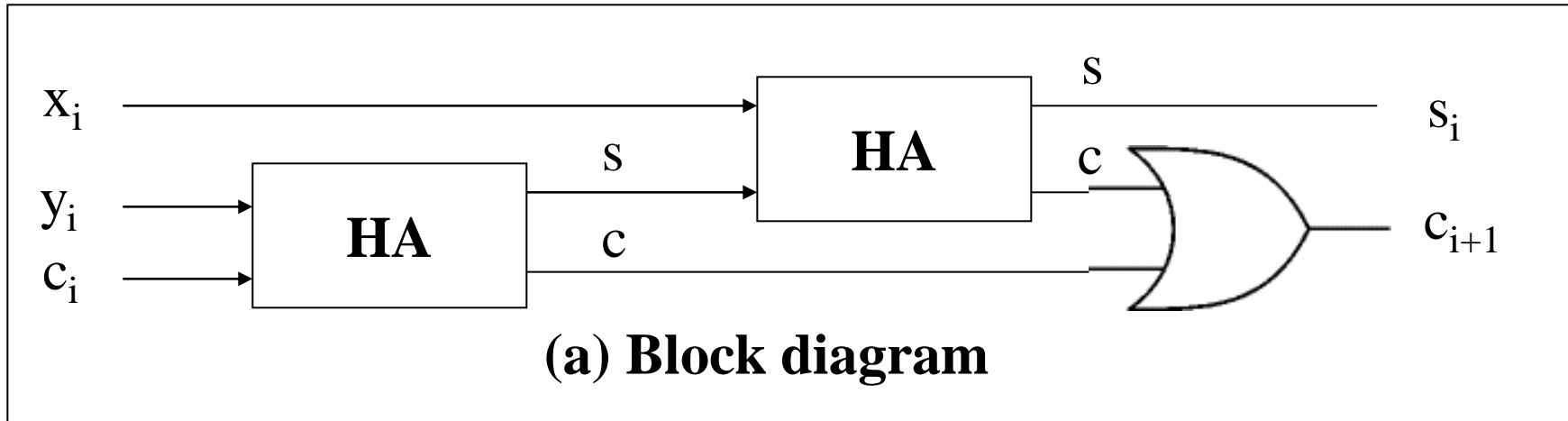


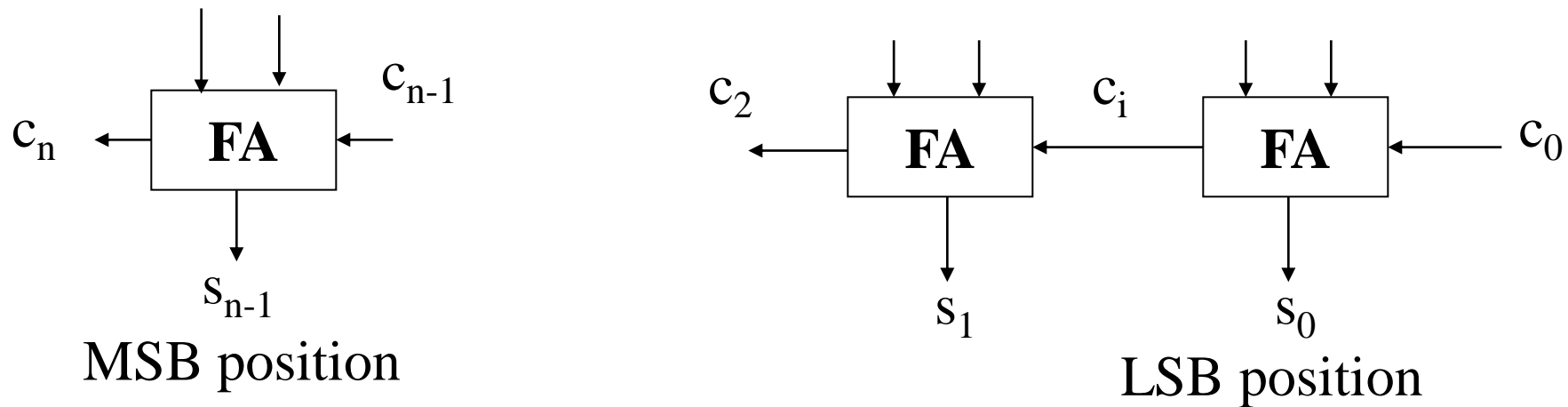
Fig: Circuit for Full adder

# Decomposed Full Adder



# Ripple Carry Adder

The signal  $c_{n-1}$  is valid after a delay of  $(n-1) \times dt$ , which means that the complete sum is available after a delay of  $n \times dt$ . Because of the way the carry signals ripple through the full adder stages, the circuit in figure is called a *ripple carry adder*.



**Figure:** An n-bit ripple carry adder



# Negative Number Representation

Negative numbers can be represented in three different ways:

- Sign and magnitude
- 1's complement
- 2's complement

# 2's Complements

To Translate a negative decimal (base 10) number to binary Using 2's complements:

- Find the binary value of the equivalent positive decimal Number.
- Change all the 1s to 0 and all the 0s to 1.
- Add 1 to the result.

# Examples of ASCII Codes

<b>Character</b>	<b>ASCII</b>	<b>Hexadecimal</b>
0	00110000	48
1	00110001	49
2	00110010	50
-		
8	00111000	56
9	00111001	57
-		
A	01000001	65
B	01000010	66
-		
Y	01011001	89
Z	01011010	90
-		
a	01100001	97
b	01100010	98

# Logic Gate Implementations

- Functionally Complete Set of Gates

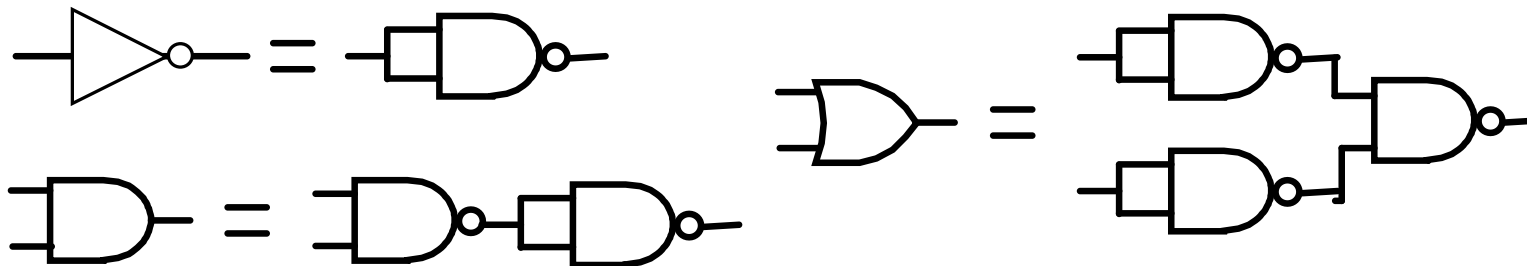
- $\{ +, *, ' \}$

- $\{ +, ' \}$

- $\{ *, ' \}$

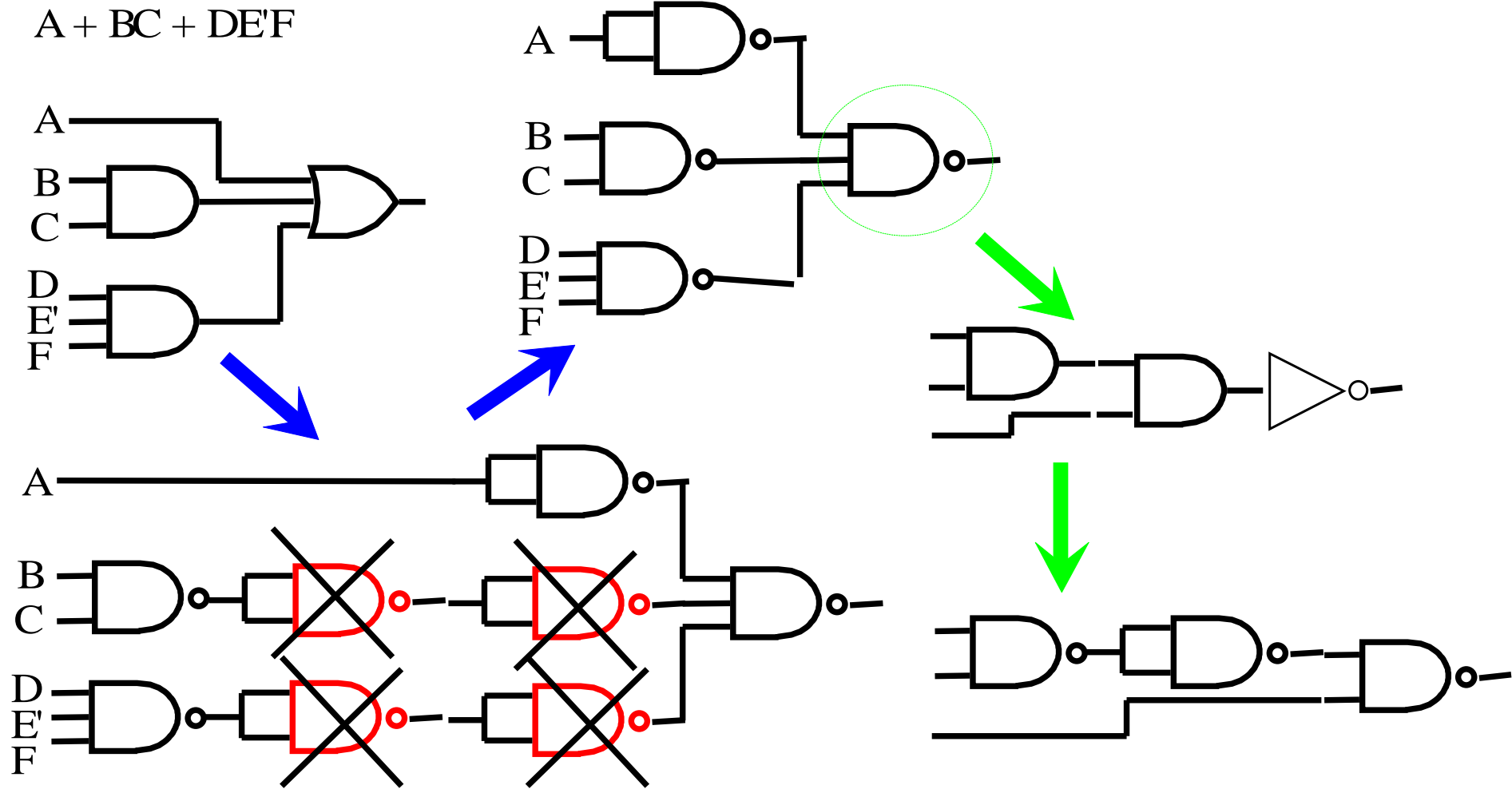
- Universal Gate

- NAND



- Similarly for NOR

# Conversion to NAND-Gate Circuits



**That's All  
Thank You**