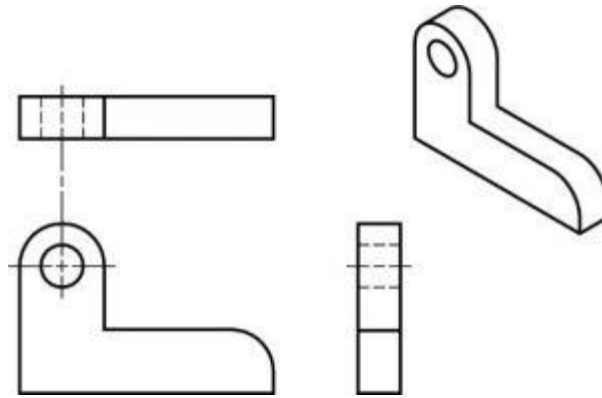


Practice Problem 3:

Example



Task

