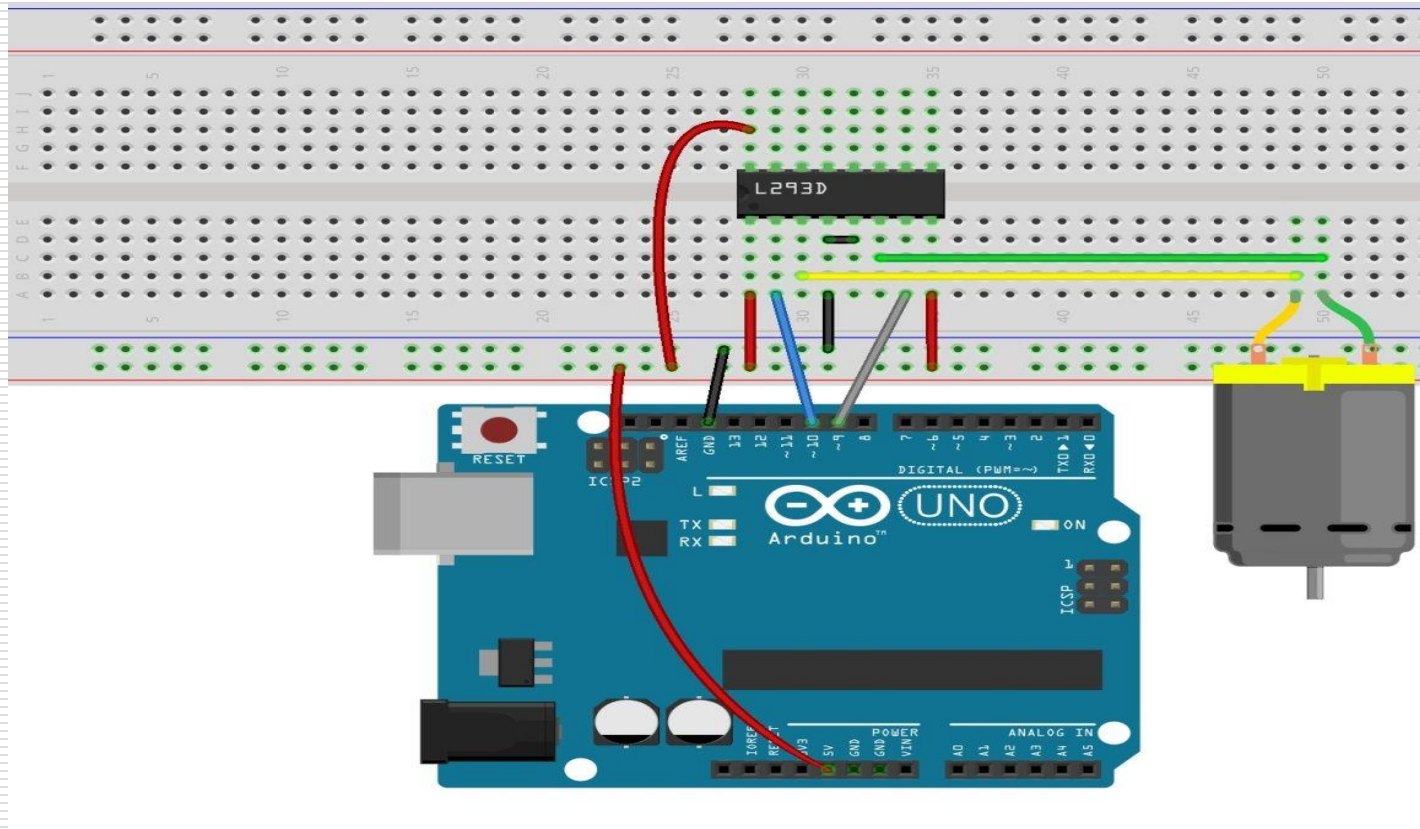


# CSE423: Embedded System Summer-2020 Control a DC Motor



# Today's Lecture

---



- *What is DC motor*
- *Working principle of DC motor*
- *How to connect a DC motor with Arduino*
- *How to control a DC motor*

# DC Motor

---

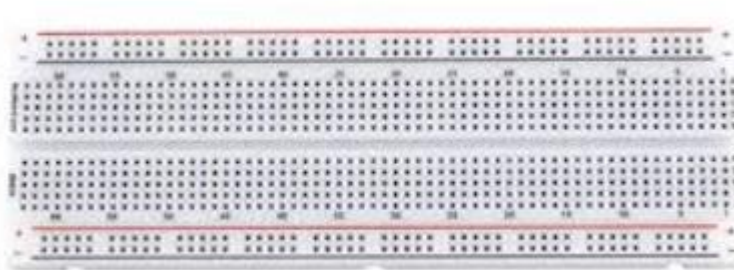
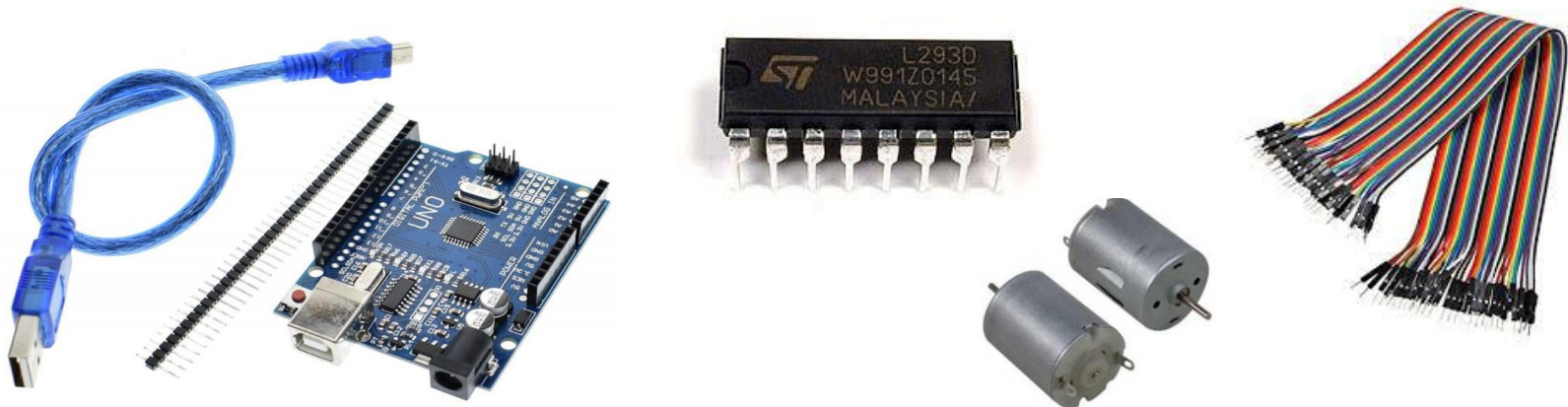


A **DC** motor (**D**irect **C**urrent motor) is the most common type of motor. DC motors normally have just two leads, one **positive** and one **negative**. If you connect these two leads directly to a battery, the motor will rotate. If you switch the leads, the motor will rotate in the opposite direction.

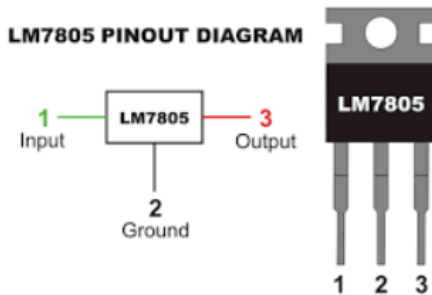
Today we will learn, how to run and control a DC Motor

---

# Required Components



**LM7805 PINOUT DIAGRAM**



# Why Driving Motors with L293D?



- ❑ Driving electro-motors needs a **high current**.
- ❑ In addition, **spinning direction** and **speed** are two important parameters to be controlled. These requirements can be handled by using a microcontroller (or a development board like Arduino).
- ❑ But Microcontrollers **cannot provide enough current** to run the motor and if you connect the motor to the microcontroller directly, you **may damage** the microcontroller. For example, Arduino UNO pins are limited to 40mA of current which is far less than the 100-200mA current necessary to control a small dc motor.



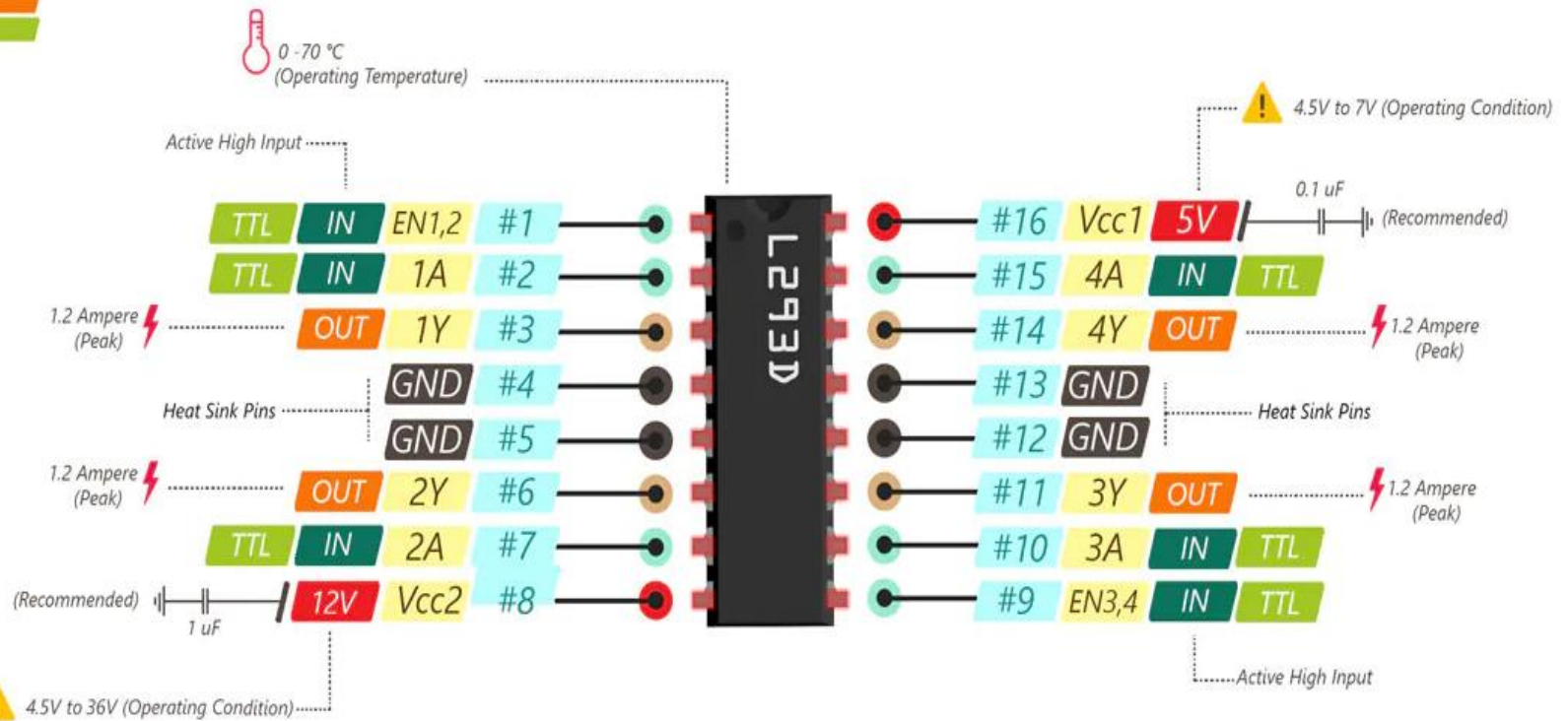
L293D

L293D is one of the most popular motor drivers to run DC motors with up to 1A current load.

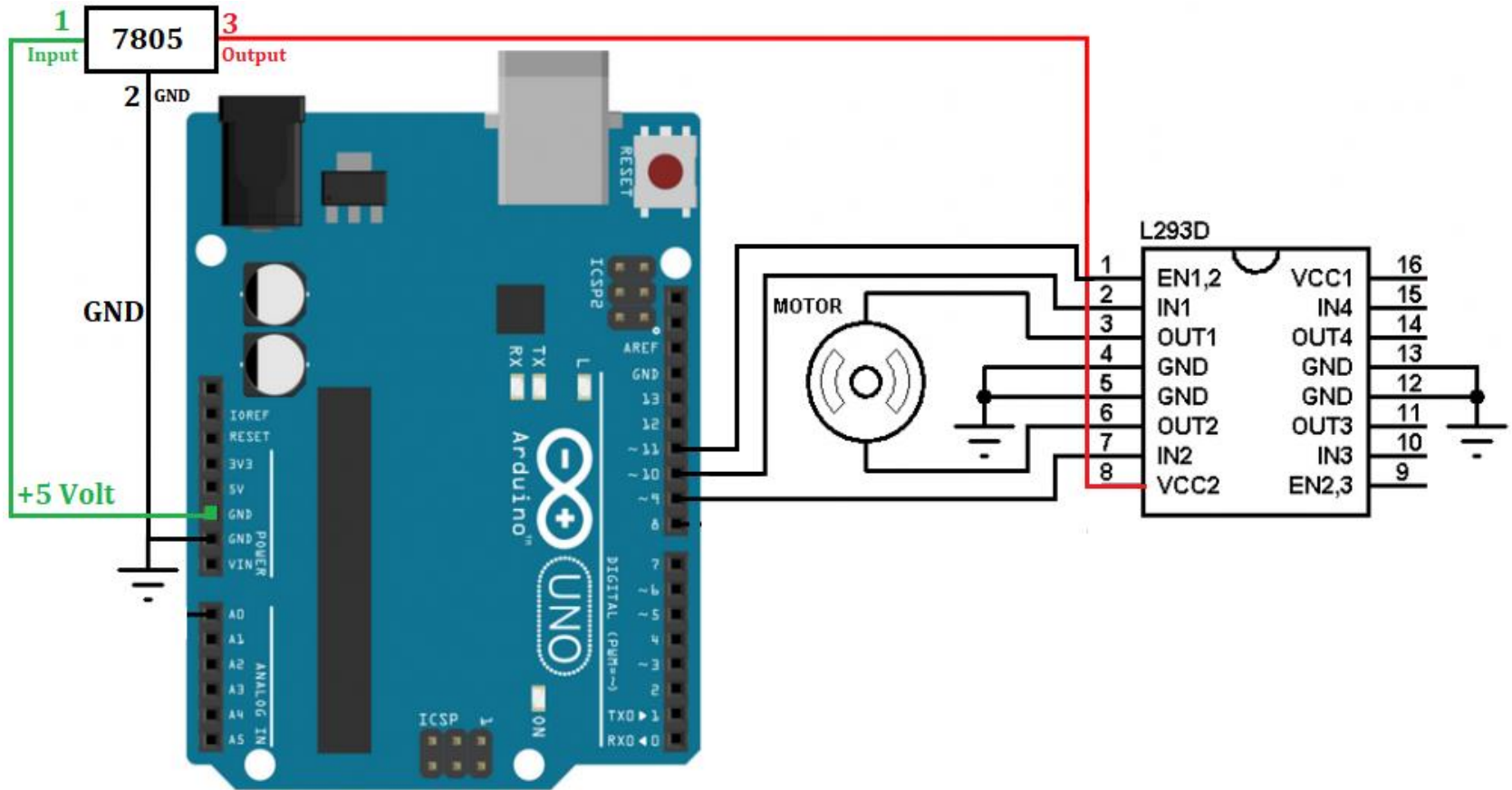
# Pin Layout for L293D



- POWER █
- GND █
- PIN NO. █
- PIN NAME █
- INPUT █
- OUTPUT █
- TTL █



# Complete Circuit Diagram



# How to connect



Pin of L293D	Connection with Arduino Pin
PIN-1 (Enable)	11
PIN-2 (Input-1)	10
PIN-3 (Output-1)	Motor (+ve)
PIN-4 (GND)	GND
PIN-5 (GND)	GND
PIN-6 (Output-2)	Motor (-ve)
PIN-7 (Input-2)	9
PIN-8 (Vcc-1)	+5 V (output from LM7805)

Pin of LM7805	Connection with Pin
PIN-1 (Input)	5 V (Arduino)
PIN-2 (GND)	GND (Arduino)
PIN-3 (Output)	PIN-8 (Vcc-1-L293D)



# Code to run the motor



```
int enable1 = 11; // Assign Pin for Enable Pin of L293D
int in1 = 10;     // Assign Pin for Input-1 of L293D
int in2 = 9;     // Assign Pin for Input-2 of L293D

void setup()
{
  pinMode(enable1, OUTPUT);
  pinMode(in1, OUTPUT);
  pinMode(in2, OUTPUT);
}

void loop()
{
  digitalWrite(enable2, HIGH); // Must be High to run the motor
  digitalWrite(in1, HIGH);
  digitalWrite(in2, LOW);
}
```

# Control the direction of the motor



To control the **direction** of the motor, we need to control the **Input Pins** by changing the values alternatively to rotate it clockwise or anti-clockwise.

```
int enable1 = 11; // Assign Pin for Enable Pin of L293D
int in1 = 10;     // Assign Pin for Input-1
int in2 = 9;     // Assign Pin for Input-2

void setup()
{
  pinMode(enable1, OUTPUT);
  pinMode(in1, OUTPUT);
  pinMode(in2, OUTPUT);
}

void loop()
{
  digitalWrite(enable2, HIGH); // Must be High to run the motor
  digitalWrite(in1, HIGH/LOW);
  digitalWrite(in2, LOW/HIGH);
}
```

# Control the speed of the motor



To control the **speed** of the motor, we need to control the **Enable Pin** by change the syntax from "digitalWrite" to "analogWrite".

```
int enable1 = 11; // Assign Pin for Enable Pin of L293D
int in1 = 10;     // Assign Pin for Input-1
int in2 = 9;     // Assign Pin for Input-2
```

```
void setup()
{
  pinMode(enable1, OUTPUT);
  pinMode(in1, OUTPUT);
  pinMode(in2, OUTPUT);
}
```

```
void loop()
{
  analogWrite(enable2, analog value); //Any analog value between 0-255
  digitalWrite(in1,HIGH);
  digitalWrite(in2,LOW);
}
```

---

What About  
Controlling the  
Speed of your Home  
Ceiling Fan?? 😊