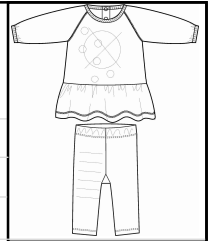


LINDEXDesign Sketch No. **6912645-000**

Date: 27/08/2012 10:3

**Budget 8380** Baby Fashion

Theme:

Department: Childrens wear

Size range: 56-86

Style desc.: Mumin set tunic/tights

Sample size: 68

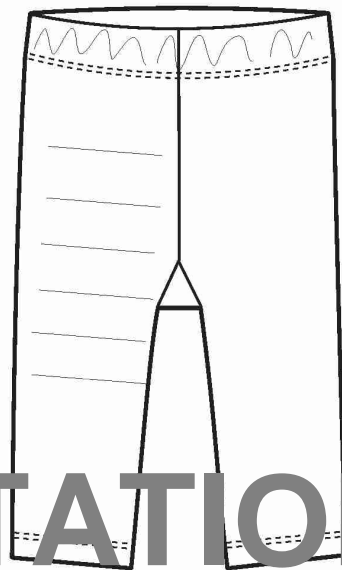
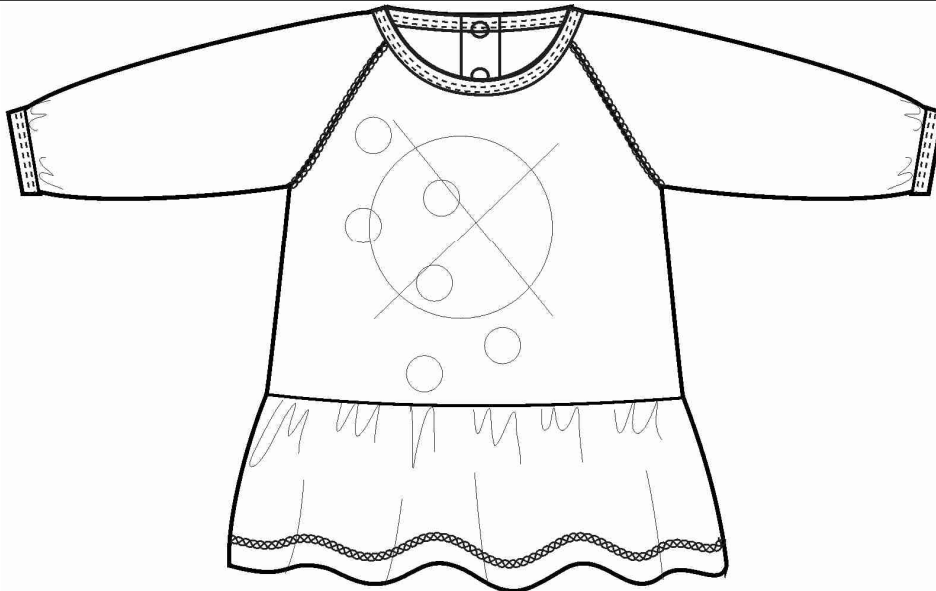
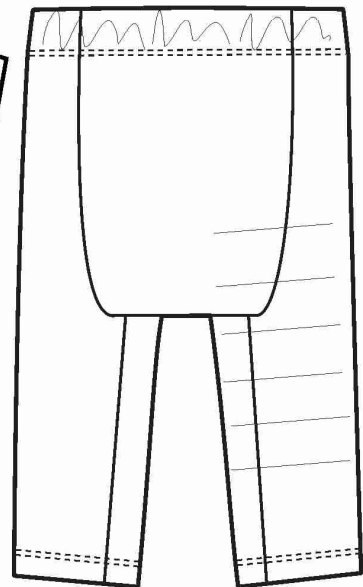
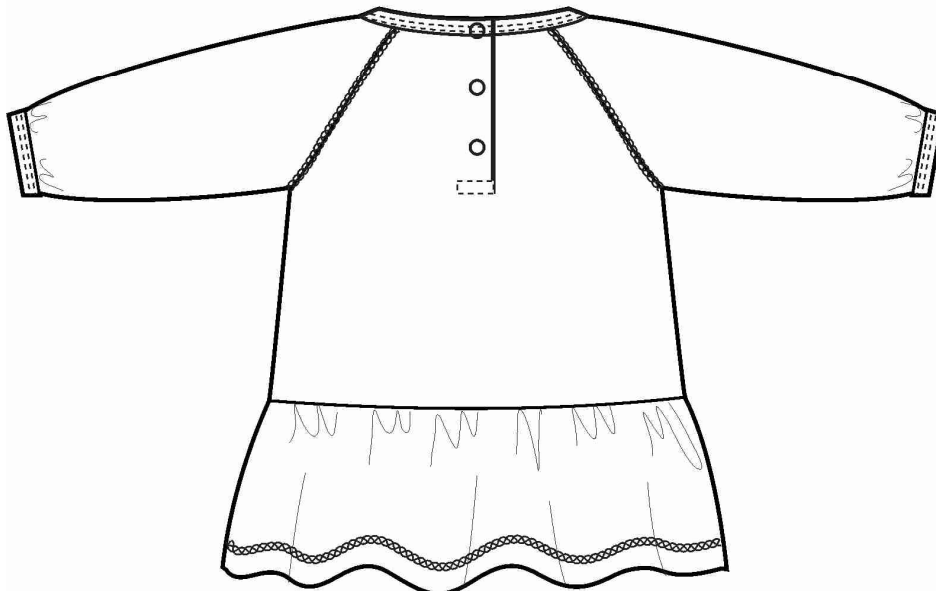
Quality:

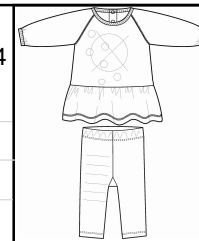
Selling 2013-1 S/S

Composition: 95% organic cotton 5% elastane

Template desc.: 8380 Tunic with bodies

Pattern No:

SKETCH**ONLY FOR QUOTATION****COMMENTS**



Budget **8380** Baby Fashion

Supplier: -

Theme:

Department: Childrens wear

Size range: 56-86

Style desc.: Mumin set tunic/tights

Sample size: 68

Quality:

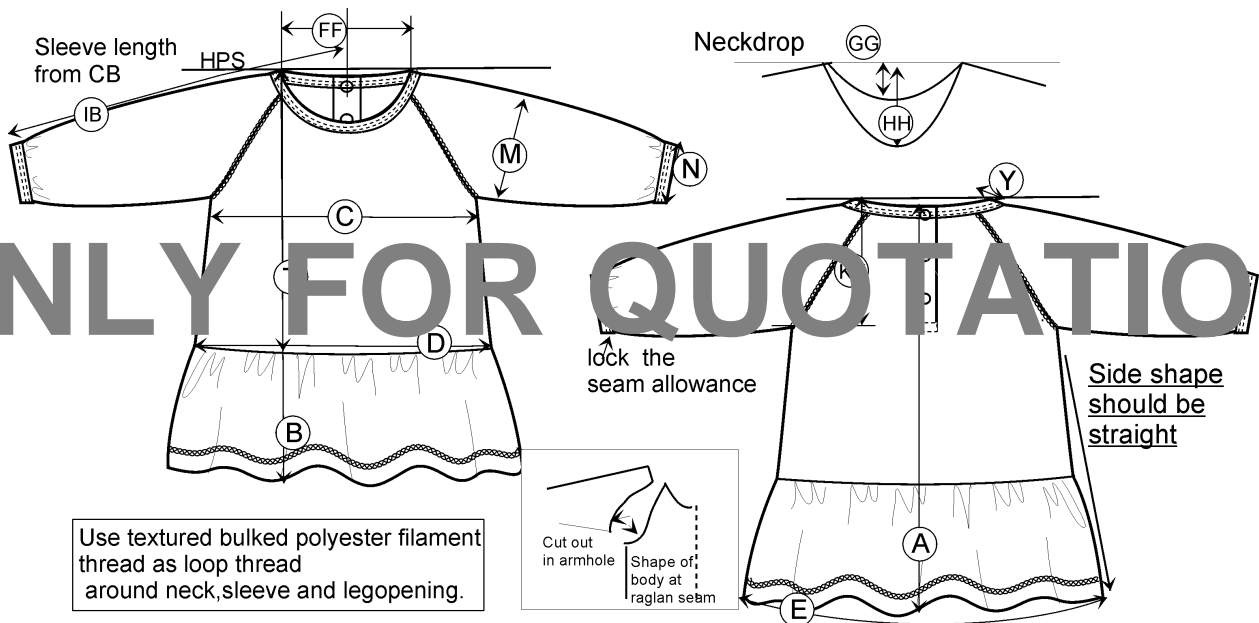
Selling 2013-1 S/S

Composition: 95% organic cotton 5% elastane

Template desc.: 8380 Tunic with bodies seam and raglan

Pattern No:

SKETCH



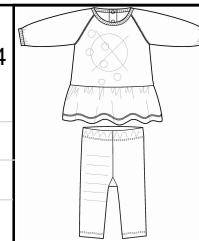
MEASUREMENTS

Finished garment measurements		56	62	68	74	80	86
Ref	Description						
A*	C Back length	27	30	33	36	39	42
B*	Shoulder>Bottom	29	32	35	38	41	44
C*	½ Chest 2 cm u armhole	23	24	25	26,5	28	29
D	Width on bodies seam	28	29	30	31,5	33	34
E*	½ Bottom	38	39	40	41,5	43	44
FF*	Backneck width	9	9,5	9,5	10	10	10,5
GG	Neckdrop back	1,5	1,5	1,5	1,5	1,5	1,5
HH	Neckdrop fr HPS	4,5	5	5	5,5	5,5	6
IB*	Sleeve length fr CB.	27	30	32	35	38	41
KK	Shoulder >Armhole line	11,5	12	12,5	13	13,5	14
M*	½ Biceps 2cm u armhole	9,5	10	10,5	11	11,5	12
N*	½ Sleeve opening	6,5	7	7	7,5	7,5	7,5
T	HPS to bodice seam	23	24	25	26	27	28
Y	Binding height	1	1	1	1	1	1
Z	Min.stretched neckopening.	44	46	46	48	50	50

Velour: Tunic with bodice seam, bindings in 2x1 rib.

LINDEX SIZE CHART No. **6912645-000**

Create Date: 24/08/2012
Modify Date: 24/08/2012 08:24



Budget **8380** Baby Fashion

Supplier: -

Theme:

Department: Childrens wear

Size range: 56-86

Style desc.: Mumin set tunic/tights

Sample size: 68

Quality:

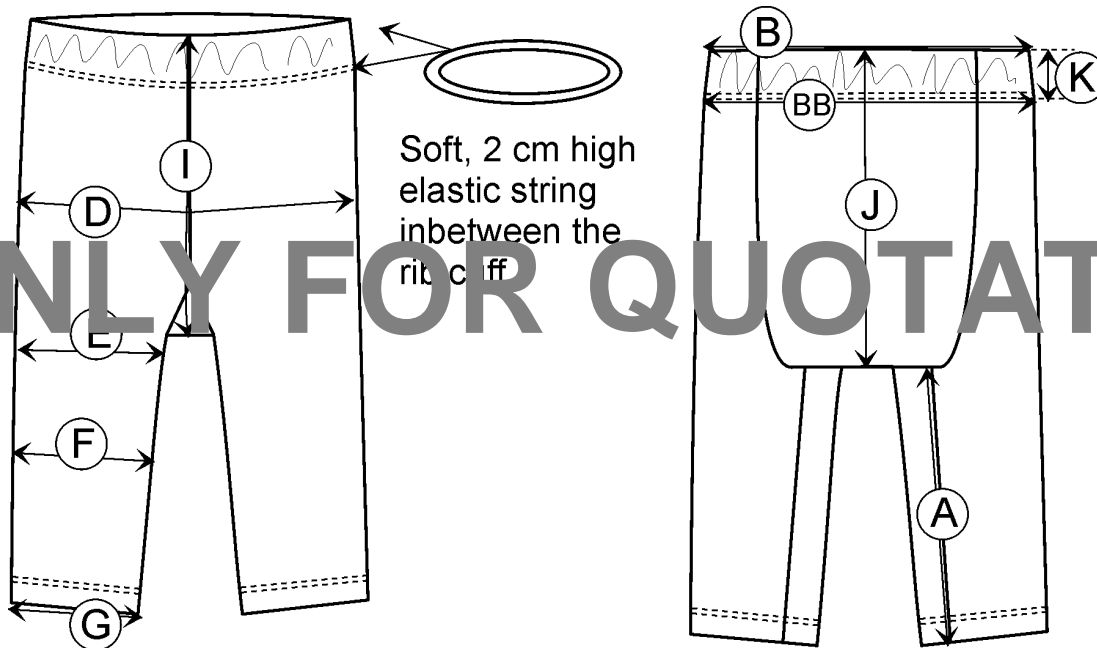
Selling 2013-1 S/S

Composition: 95% organic cotton 5% elastane

Template desc.: 8380 Slim leggings with elastic in waist

Pattern No: B 343 10

SKETCH



MEASUREMENTS

Finished garment measurements		56	62	68	74	80	86
Ref	Description						
A*	Inseam	15	17	19	22	25	28
B*	½ Waist relaxed; elastic	18	19	19	20	21	22
BB*	½ Waist extended	20	21	22	23	24	25
D*	½ Seat	20	21	22	23	24	25
E*	½ Thigh mea 2 cm u crotch	8	8,5	9	9,5	10	10,5
F*	½ Leg at ½ inseam	7	7,5	8	8,5	9	9,5
G	½ Bottom	6,5	7	7,5	7,5	8	8,5
I*	Fronrise incl,waist	16	16,5	17	17,5	18,5	19
J*	Backrise mea incl waist	17,5	18	18,5	19	20	20,5
K	Folded waist band	2	2	2	2	2	2

Comments.Single/Cotton/elastan
Model: Slim leggings; no side seam.
2 cm wide elastic in waistband